

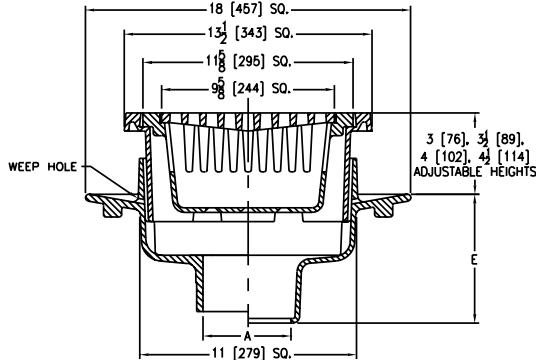
Z675 13-1/2" EXTRA HEAVY-DUTY DRAIN



ENGINEERING SPECIFICATION

Zurn Z675 13-1/2" square top drain features Dura-Coated cast iron body with bottom outlet, seepage pan, and vertically adjustable, four-position frame for Duresist extra heavy-duty, loose, slotted grate with suspended sediment bucket.

A Pipe Size inch [mm]	Grate Open Area sq in [cm ²]	Approximate Weight lb [kg]
3 [76], 4 [102], 6 [152]	72 [465]	110 [50]



PREFIXES	DESCRIPTION	PIPE SIZE	LIST PRICE
Z675*	D.C.C.I. Body and Duresist Top	3", 4", 6"	3,127.00

OUTLETS (SPECIFY PIPE SIZE IN INCHES AND TYPE OF OUTLET)			
OUTLET TYPE	PIPE SIZE/OUTLET TYPE	E BODY HT. DIM.	ADD
IC	Inside Caulk	4IC	7-1/8" N/C
IG	Inside Gasket	4IG	7-1/8" N/C
IP	Threaded	3IP, 4IP, 6IP	7-1/8" 80.00
NH	No-Hub (IP w/ Z1040)	3NH, 4NH, 6NH	9-5/8" See Z1040
NL	Neo-Loc	3NL, 4NL	7-5/8" N/C

SUFFIXES	ADD
-AR	Acid Resisting Epoxy Coated Cast Iron 1,785.00
-C	Clamp Collar 569.00
-G	Galvanized Cast Iron 1,691.00
-TS	Top Secured with Slotted Screws 129.00
-VP	Vandal-Proof Secured Top 149.00

BEST SELLERS	LIST PRICE
Z675-4IC-C	3,696.00
Z675-4IC-C-VP	3,845.00
Z675-4IG-AR-C-VP	5,630.00

Z676 13-1/2" EXTRA HEAVY-DUTY DRAIN



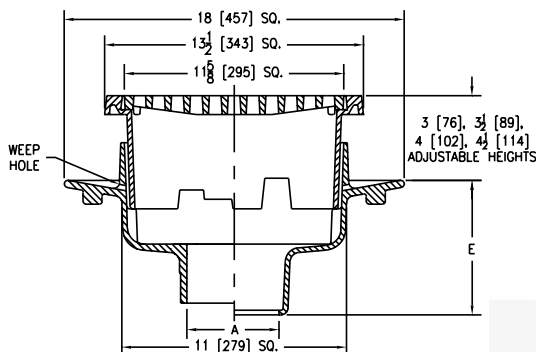
ENGINEERING SPECIFICATION

Zurn Z676 13-1/2" square top drain features Dura-Coated cast iron body with bottom outlet, seepage pan, and vertically adjustable, four-position frame for Duresist extra heavy-duty, loose, slotted grate.

NOTES

*Add 3/4" to 13-1/2" dimension and 3/16" to 'E' dimension for ZN

A Pipe Size inch [mm]	Grate Open Area sq in [cm ²]	Approximate Weight lb [kg]
3 [76], 4 [102], 6 [152]	72 [465]	95 [43]



PREFIXES	DESCRIPTION	PIPE SIZE	LIST PRICE
Z676*	D.C.C.I. Body and Top	3", 4", 6"	2,945.00
ZN676	D.C.C.I. Body with Polished Nickel Bronze Top	3", 4", 6"	4,286.00

OUTLETS (SPECIFY PIPE SIZE IN INCHES AND TYPE OF OUTLET)			
OUTLET TYPE	PIPE SIZE/OUTLET TYPE	E BODY HT. DIM.	ADD
IC	Inside Caulk	4IC	7-1/8" N/C
IG	Inside Gasket	4IG	7-1/8" N/C
IP	Threaded	3IP, 4IP, 6IP	7-1/8" 80.00
NH	No-Hub (IP w/ Z1040)	3NH, 4NH, 6NH	9-5/8" See Z1040
NL	Neo-Loc	3NL, 4NL	7-5/8" N/C

SUFFIXES	ADD
-AR	Acid Resisting Epoxy Coated Cast Iron 1,785.00
-C	Clamp Collar 569.00
-G	Galvanized Cast Iron 1,691.00
-TS	Top Secured with Slotted Screws 129.00
-VP	Vandal-Proof Secured Top 149.00
-Y	Sediment Bucket 184.00

BEST SELLER	LIST PRICE
Z676-6IP-G-Y	4,900.00

Supplied By:



877-903-7246

www.commercialplumbingsupply.com

*Regularly furnished unless otherwise specified.

Items designated as Best Sellers are most specified and are generally in stock for shipment.

⌚ This symbol denotes a product that is engineered to reduce installation and rework time.

For additional product information, please visit www.zurn.com